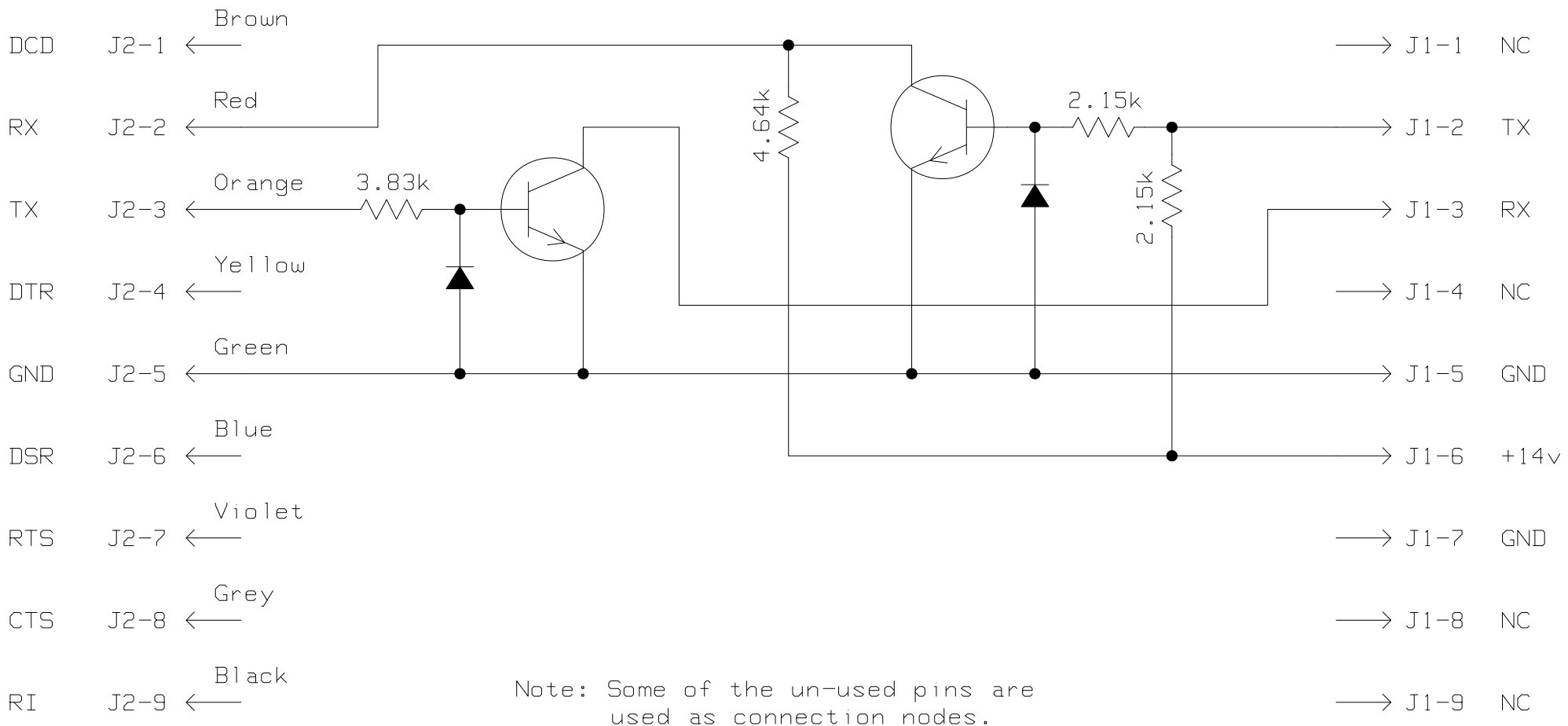


OmniBook
DB9 - Female

ECU Interface
DB9 - Male



Note: Some of the un-used pins are used as connection nodes.

Shield Case

12-03-98