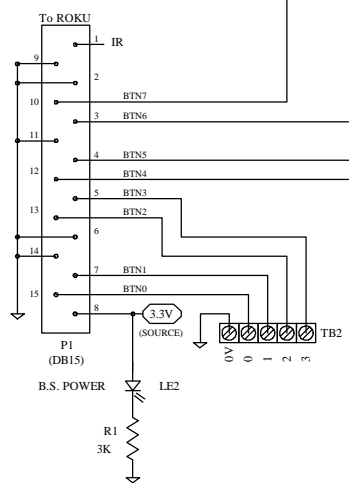
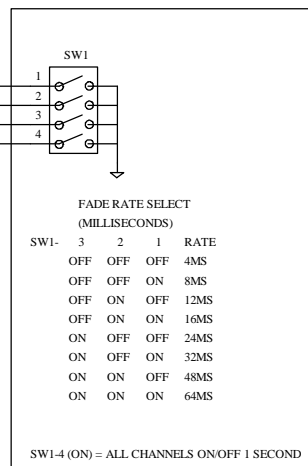
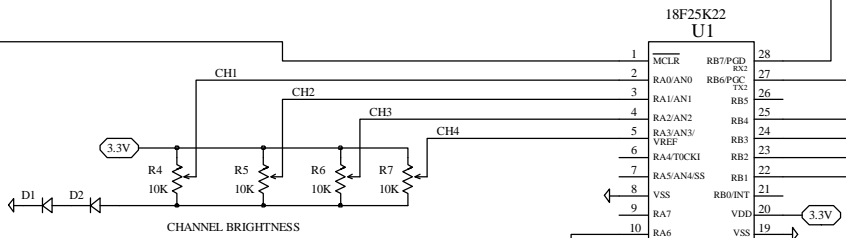
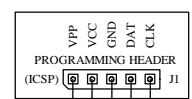
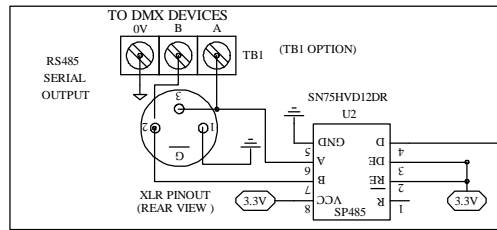
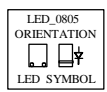


4

3

2

1



CHANNEL BRIGHTNESS ADJUSTABLE!

Comp	HMS ELECTRONICS	
no.	GPIO4_DMXX4_R2S.DBF	
name	GPIO 4 INPUT, 4 DMX CHANNELS	
Org	01-30-2017	Rev 2
Engineer	Richard Harkey	HMS Electronics

4

3

2

1