

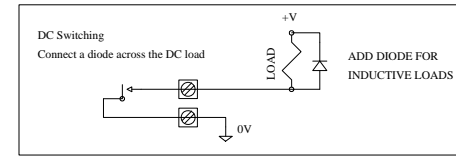
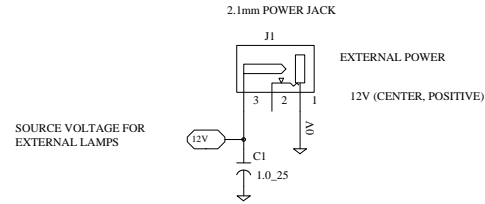
4

3

2

1

SET GPIO 4-7 LOW TO TURN ON RELAYS

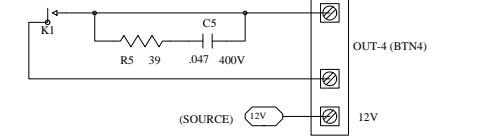
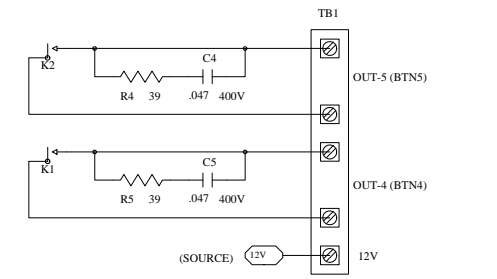
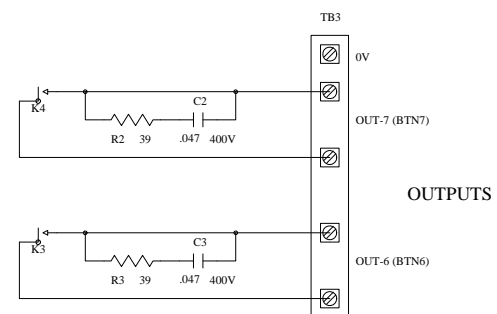
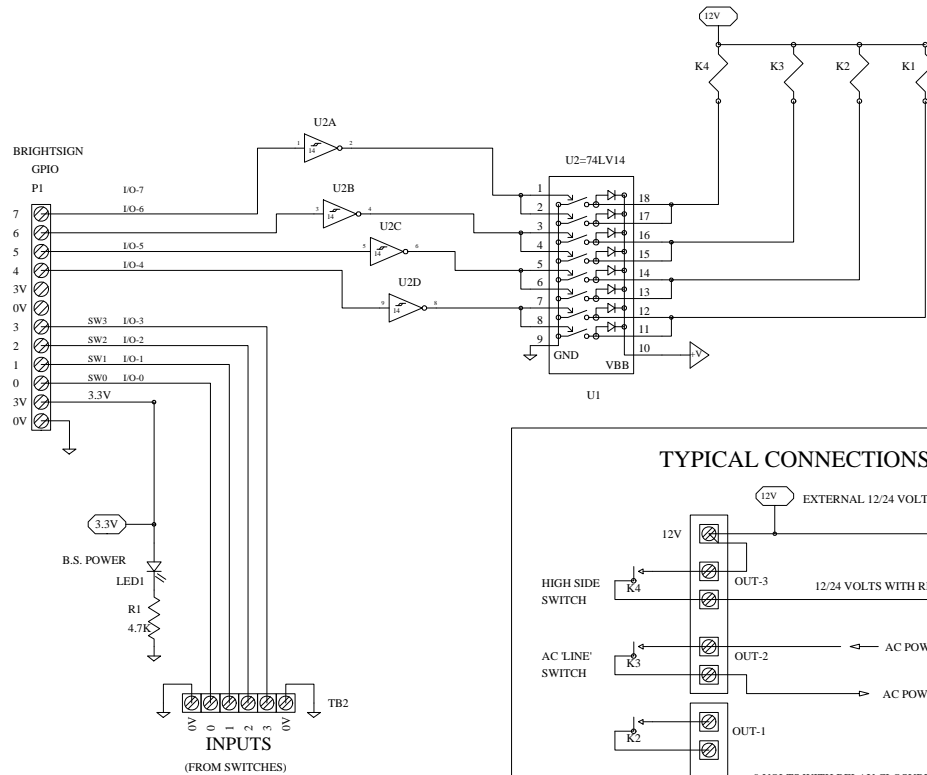


D

D

C

C

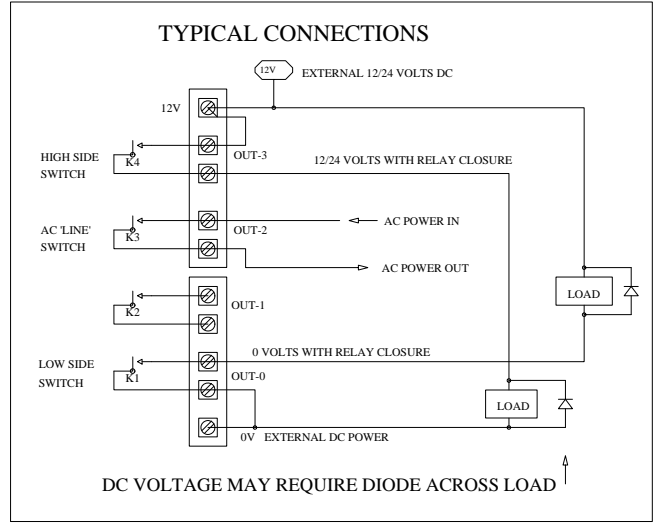


B

B

A

A



Comp.	HMS ELECTRONICS	
no.	GPIO_S3_4X4R_S.DBF	
fname	BRIGHTSIGN INTERFACE BOARD 4 INPUT, 4 RELAY OUTPUTS	
Org	07-11-18	Rev 1.0
Engineer	Richard Harkey	HMS Electronics

4

3

2

1