

4

3

2

1

D

D

C

C

B

B

A

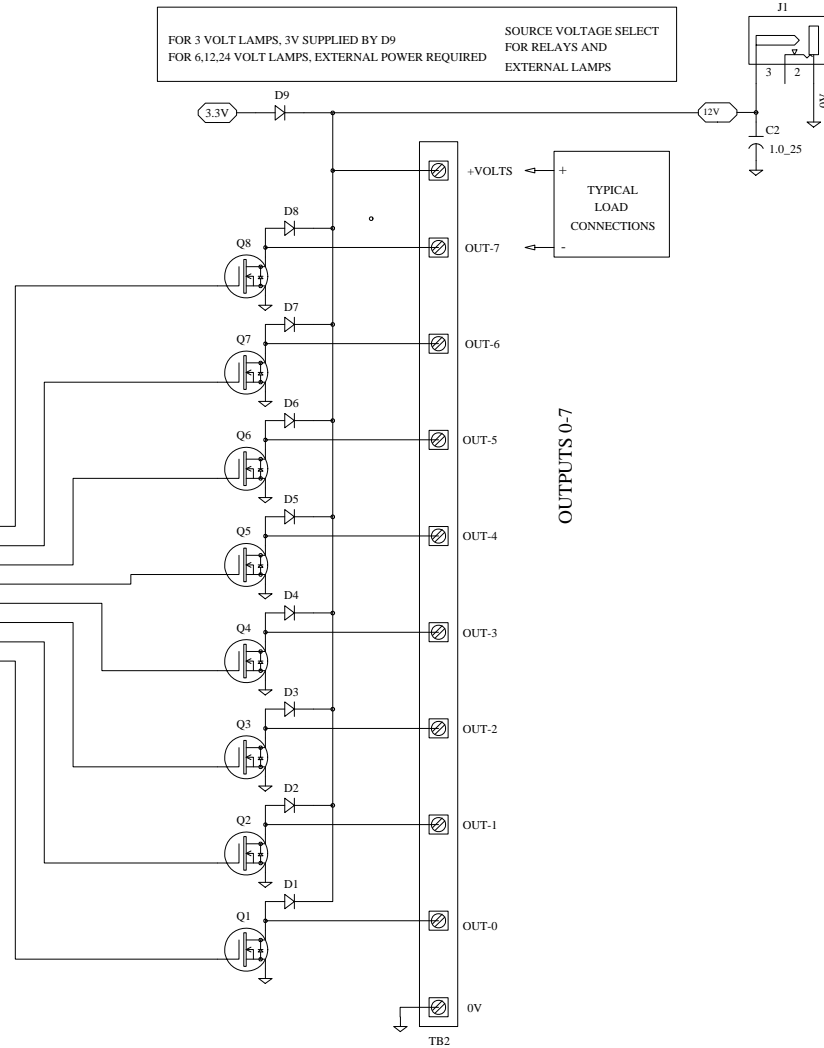
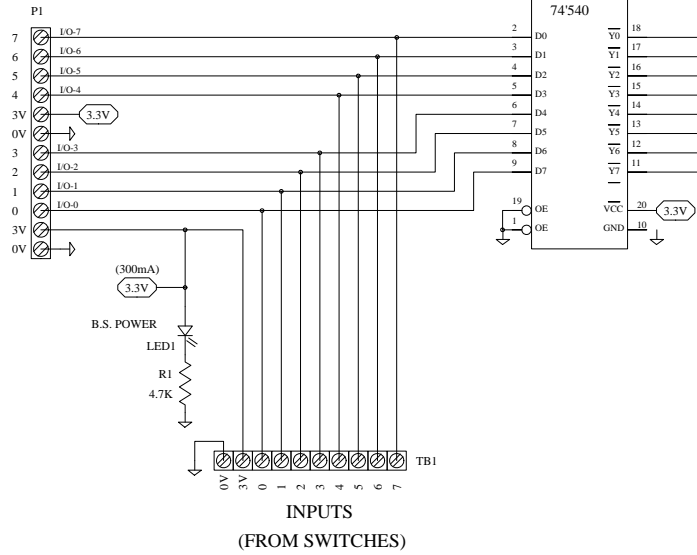
A

SET GPIO 0-7 LOW TO TURN ON OUTPUTS

FOR 3 VOLT LAMPS, 3V SUPPLIED BY D9
FOR 6,12,24 VOLT LAMPS, EXTERNAL POWER REQUIRED
SOURCE VOLTAGE SELECT
FOR RELAYS AND
EXTERNAL LAMPS

2.1mm POWER JACK

EXTERNAL POWER
(CENTER, POSITIVE)
(6.12,24V)



Comp.	HMS ELECTRONICS	
no.	GPIO_S3_8_IOS.DBF	
name	'S3' INTERFACE BOARD 8 INPUTS OR 8 MEDIUM CURRENT OUTPUTS	
Org	04-02-2018	Rev 3
Engineer	Richard Harkey	HMS Electronics

2 AMPS MAXIMUM EACH OUTPUT
6 AMPS MAXIMUM TOTAL CURRENT
+VOLTS = 30VOLTS MAXIMUM

4

3

2

1