

4

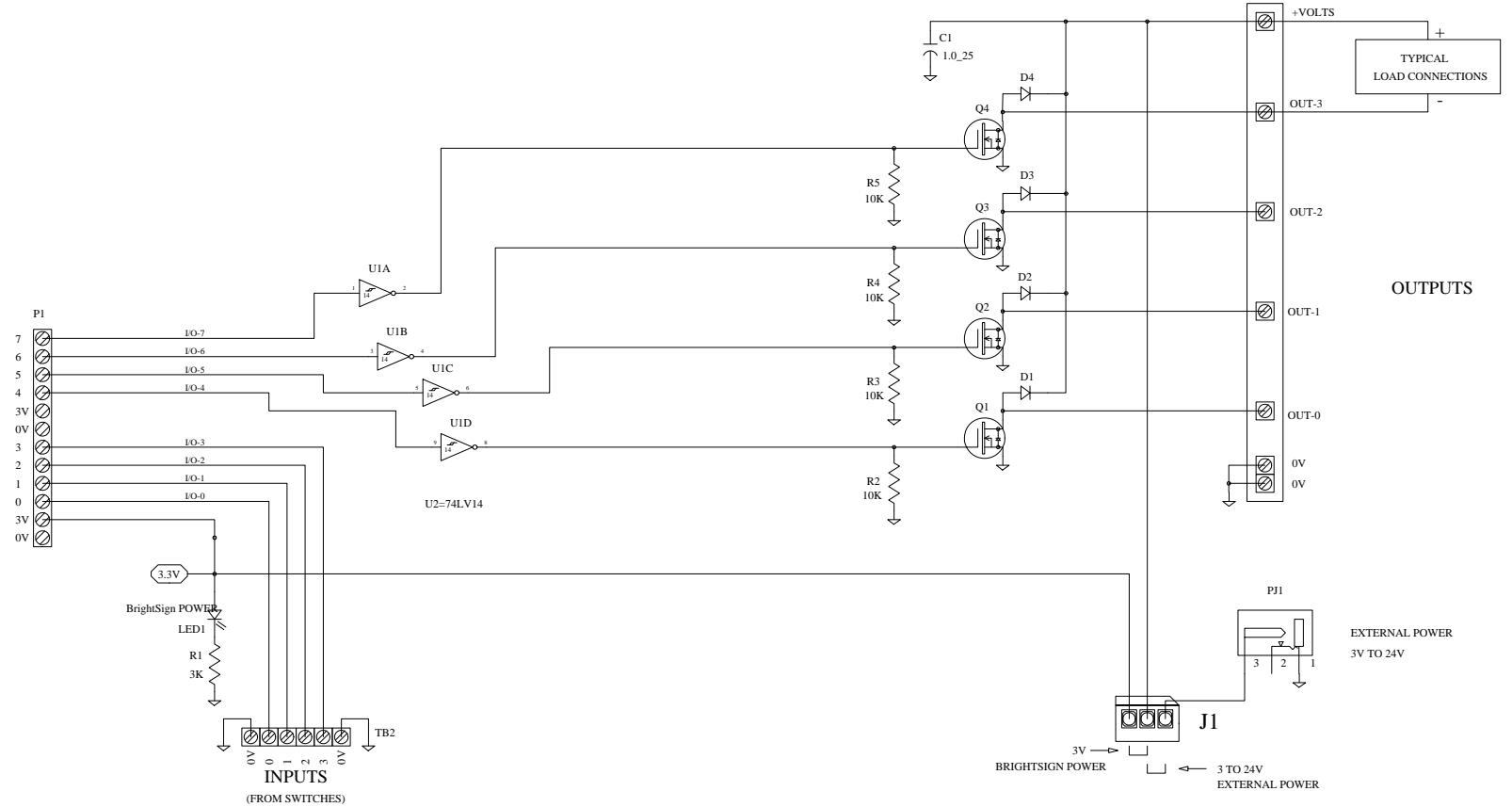
3

2

1

SET GPIO 4-7 LOW TO TURN ON OUTPUTS
NEW DESIGN WITH 'U1' INVERTER

2 AMPS MAXIMUM EACH OUTPUT
+VOLTS = 30VOLTS MAXIMUM



D

D

C

C

B

B

A

A

Comp.	HMS ELECTRONICS		
no.	PH_4X4_S.DBF WAS: GPIO_S3_4X4_S.DBF		
name	BS INTERFACE BOARD 4 INPUT, 4 MEDIUM CURRENT OUTPUTS		
Org	06-22-2018	01-16-2020	Rev 1.0
Engineer	Richard Harkey		HMS Electronics

4

3

2

1