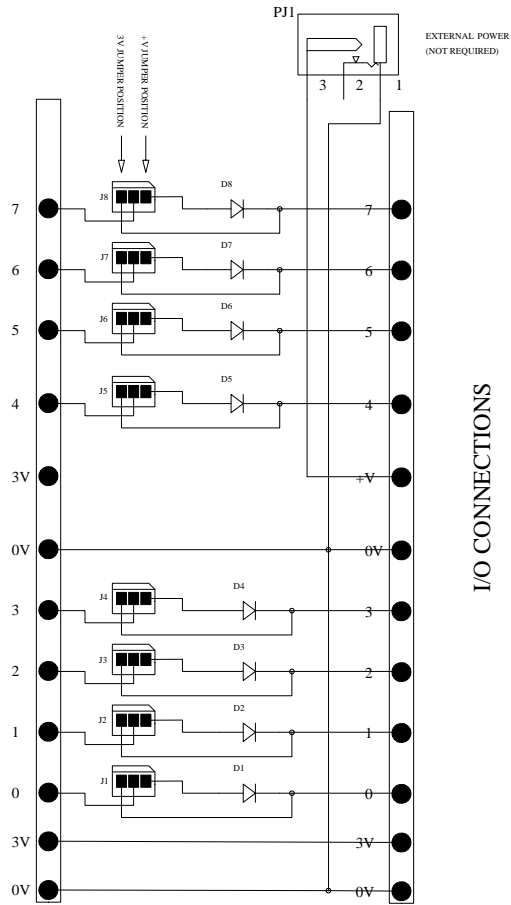


BRIGHTSIGN CONNECTIONS



DISIMILAR VOLTAGE ADAPTER

FOR 3V INPUTS, SET JUMPER TO '3V' POSITION (DIRECT INPUTS)

FOR 5V TO 24V INPUTS, SET JUMPER TO '+V' POSITION  
 IN THE +V POSITION, THE DIODE BLOCKS THE INPUT '+V' VOLTAGE  
 THE LOW VOLTAGE (0V) IS PASSED TO THE BRIGHTSIGN VIA THE BLOCKING DIODE

TITLE: I/O CONNECTIONS			
Company: HMS Electronics, Inc.			
SIZE	DRAWN:	DRAWING NUMBER	REV.
A	RDH	TB12_TB12+_V_S.DBF	1
DATE:		SHEET 1	OF 1