

4

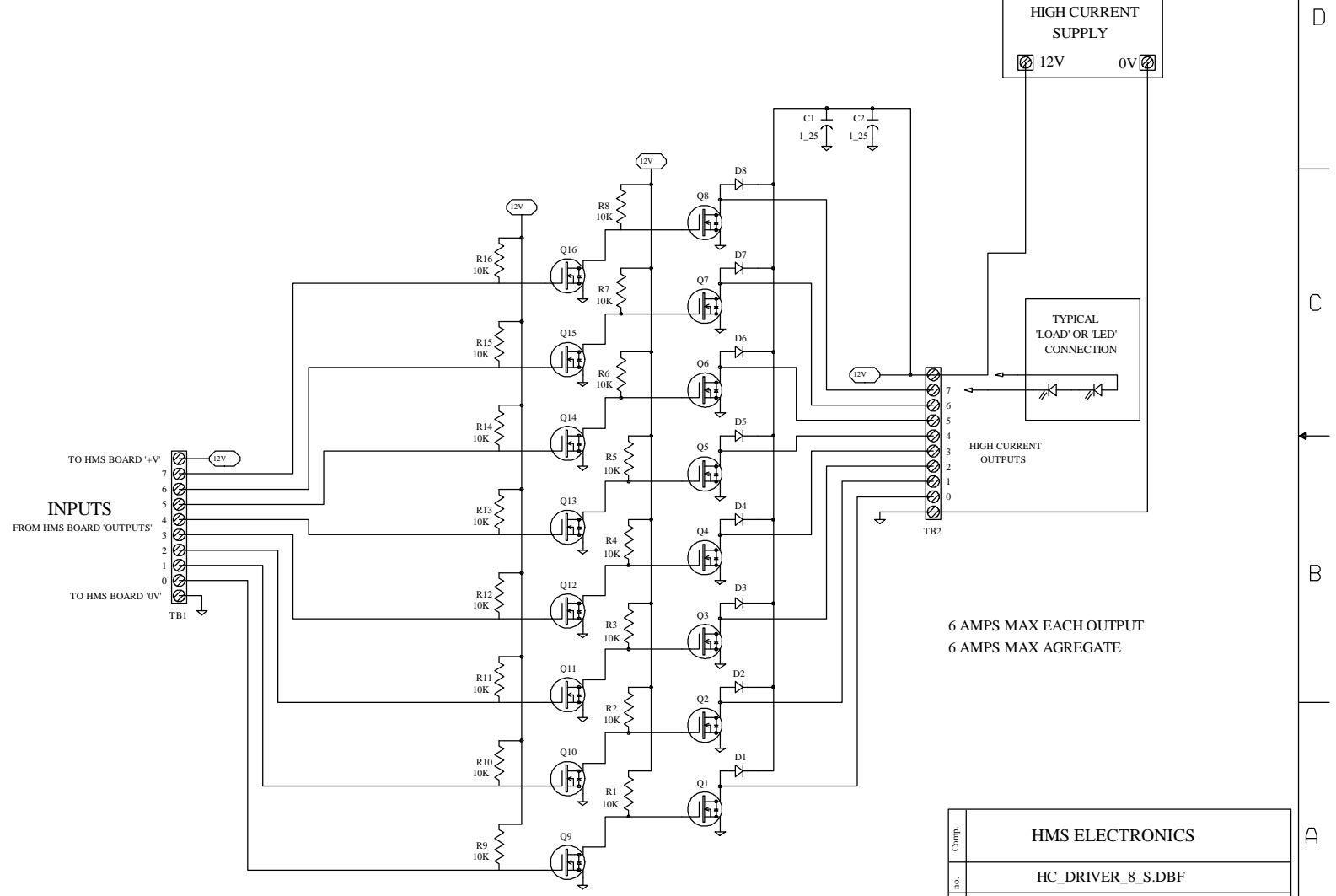
3

2

1

Q1-Q8=STD85N3LH5 (55A/30V)  
 Q9-Q16=2N7002  
 D1-D4=625-S1G (1A/100V)

12VOLTS  
 HIGH CURRENT  
 SUPPLY  
 12V 0V



HIGH CURRENT ADAPTER DRIVER BOARD

6 AMPS MAX EACH OUTPUT  
 6 AMPS MAX AGREGATE

Comp.	HMS ELECTRONICS	
no.	HC_DRIVER_8_S.DBF	
name	HIGH CURRENT DRIVER (8 OUTPUT)	
Org	02-17-2011	Rev 1.0
Engineer	Richard Harkey	HMS Electronics

4

3

2

1

D

D

C

B

A

A