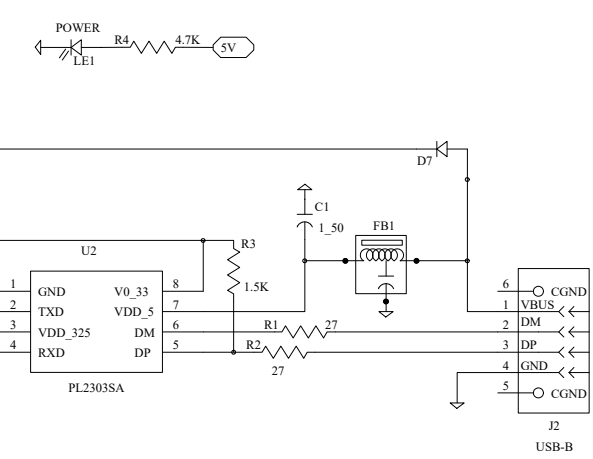
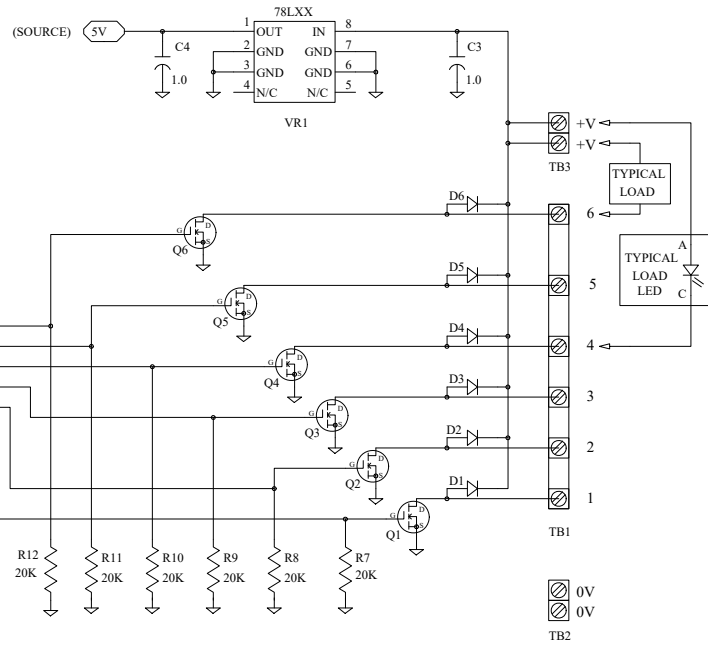


- SW1-1 CYCLE SELECTS CYCLE THE RGB OUTPUTS (1 ON AT A TIME)
- SW1-2 4S-4I SELECTS 4 SCENE INPUTS (1-4), 4 INPUTS (5-8)
- SW1-3 0S-8I SELECTS 8 INPUTS
- SW1-4 FUTURE



NOTE: Q4-Q6 OMITTED FOR 3 OUTPUTS

Comp.	HMS ELECTRONICS	
name	USB_RGB_D_SC_S DUAL RGB OUTPUTS, 8 INPUTS	
no.	USB_RGB_D_SC_S.DBF	
Org	05-01-2023	Rev 1.0
Engineer	Richard Harkey	HMS Electronics