

4

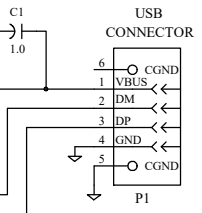
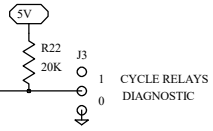
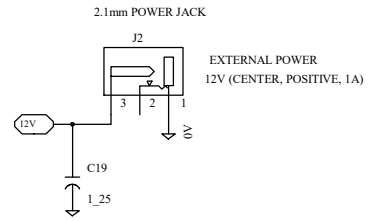
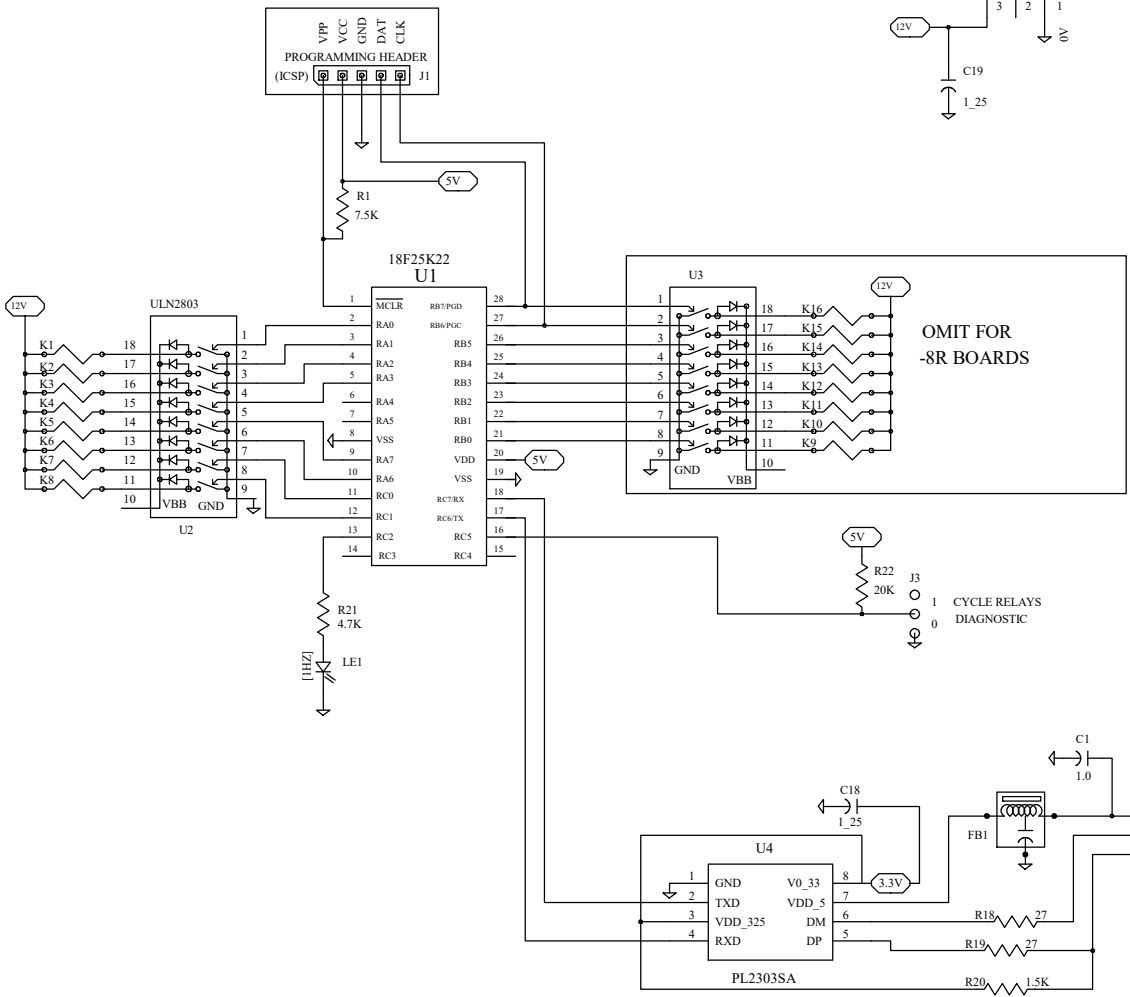
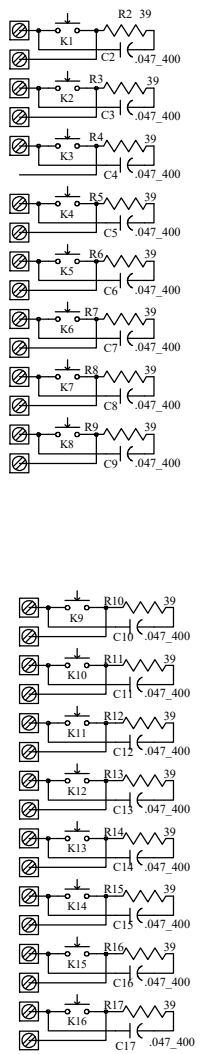
3

2

1

OUTPUTS 1-8

OUTPUTS 9-16



D

C

B

A

4

3

2

1

Comp.	HMS ELECTRONICS	
no.	USB_16R_HC_S.DBF	
name	USB 16 RELAY BOARD	
Org	07-02-2024	Rev 1.0
Engineer	Richard Harkey	HMS Electronics