

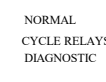
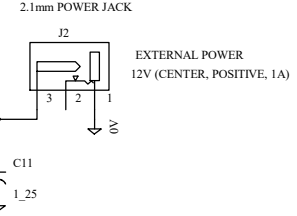
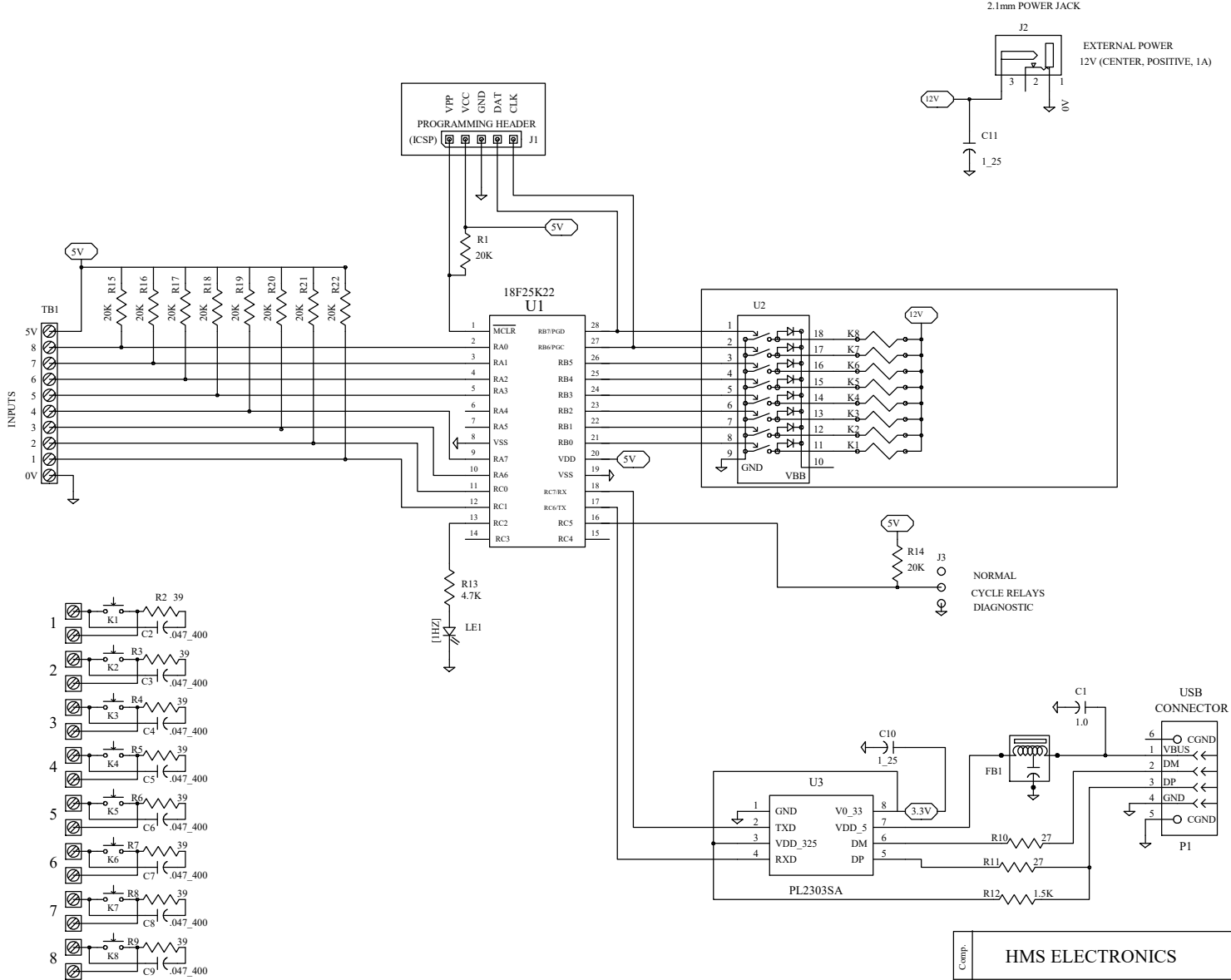
LED 0805
ORIENTATION
LED SYMBOL

4

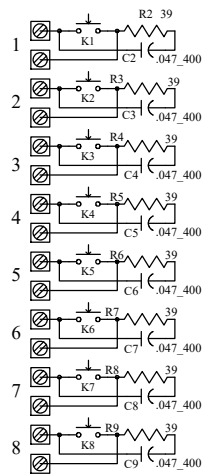
3

2

1



OUTPUTS 1-8



Comp.	HMS ELECTRONICS	
no.	USB_8X8R_HC_S.DBF	
name	USB 8 RELAY BOARD	
Org	07-02-2024	Rev 1.0
Engineer	Richard Harkey	HMS Electronics

4

3

2

1