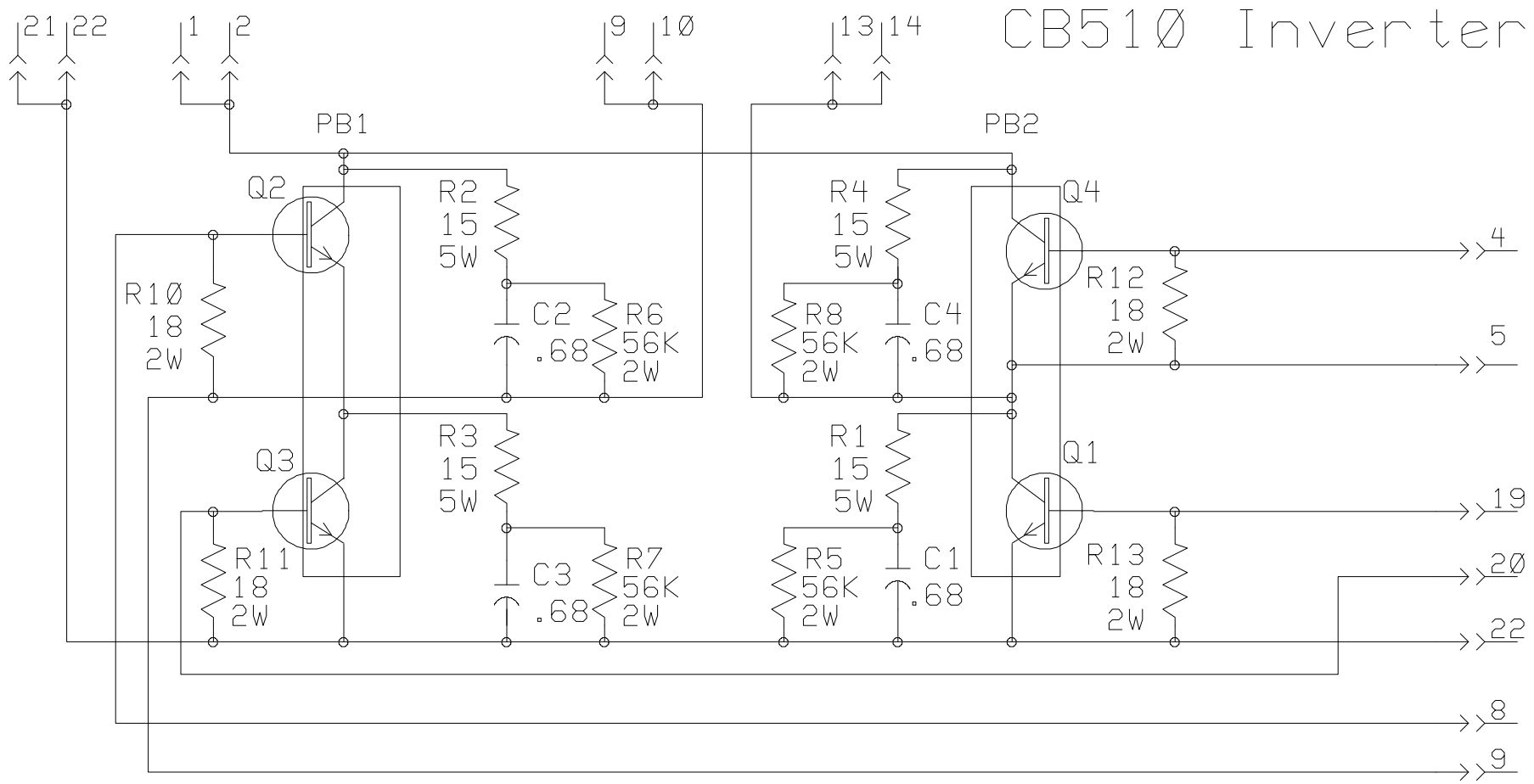
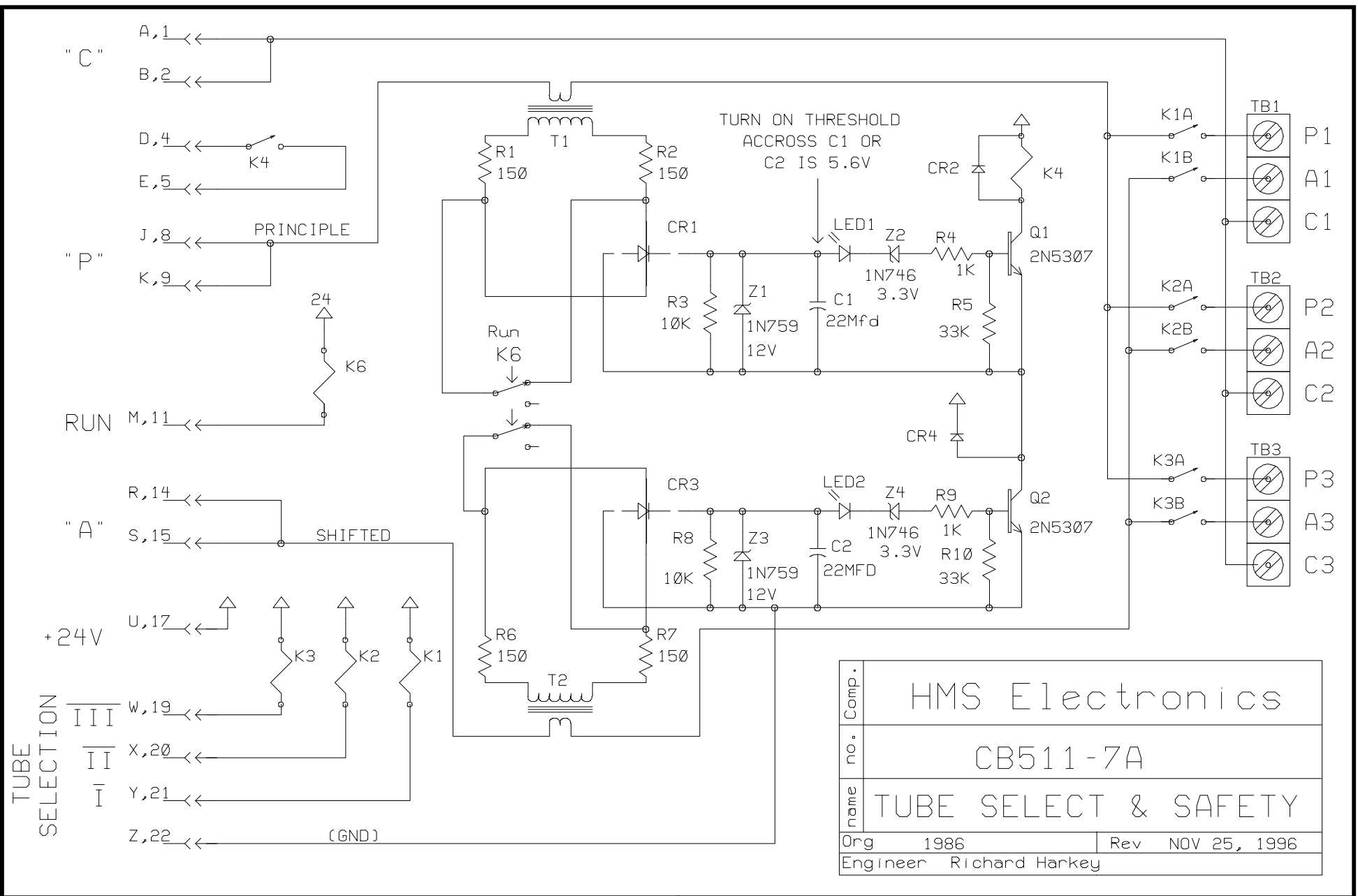


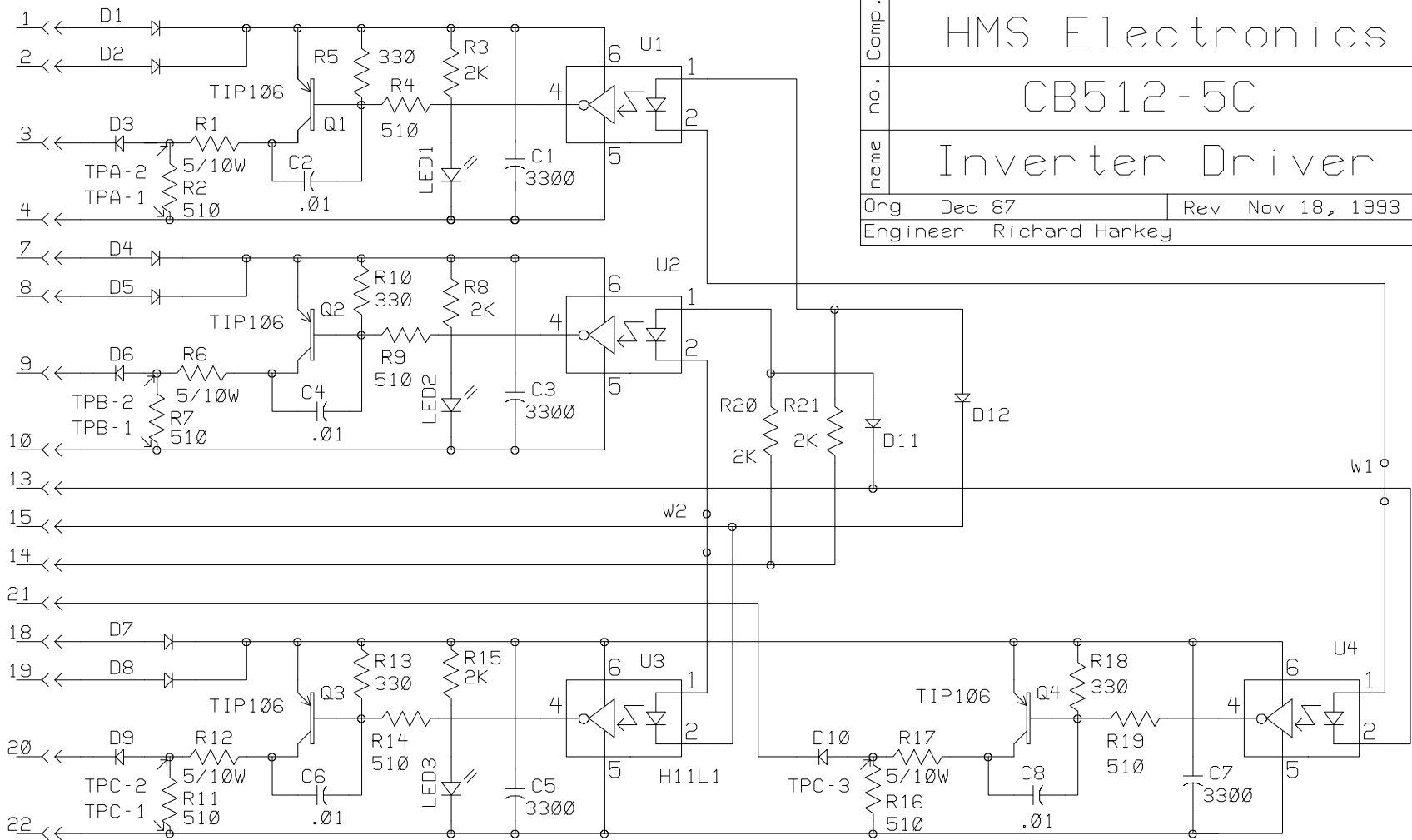
CB510 Inverter



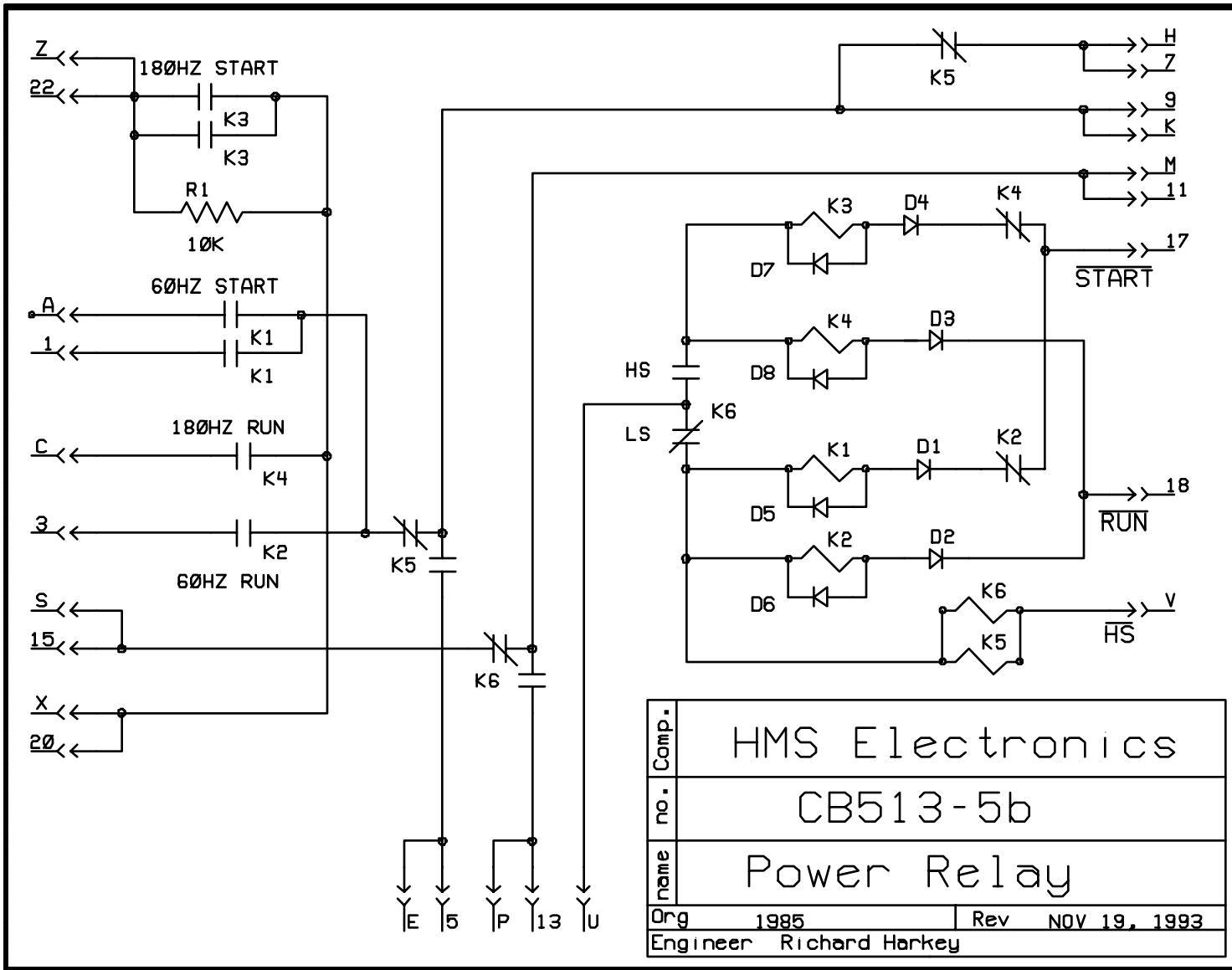
Comp.	HMS Electronics	
no.	CB-510-2	
name	Inverter	
Org	1985	Rev JAN 92
Engineer Richard Harkey		



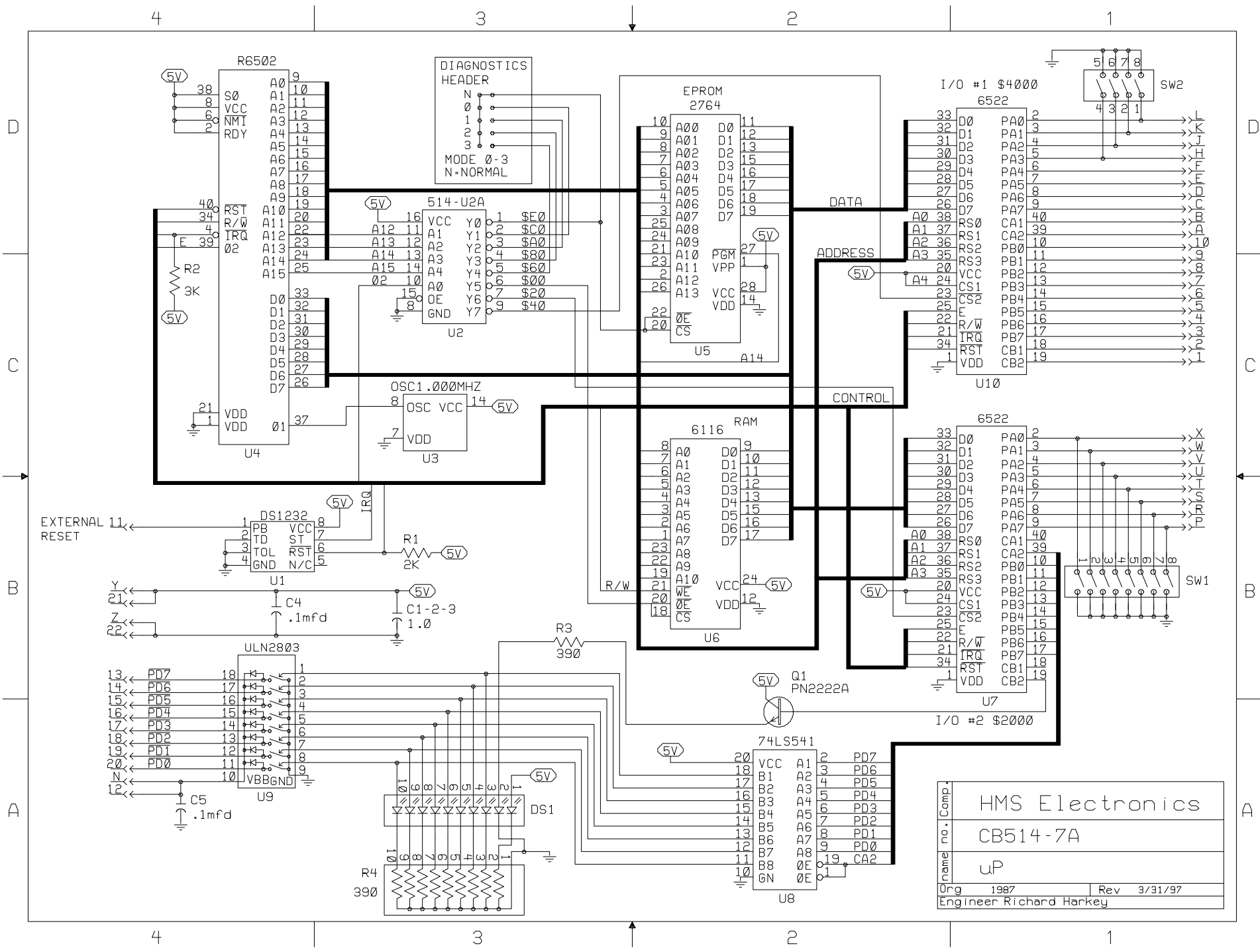
Comp.	HMS Electronics	
no.	CB511-7A	
name	TUBE SELECT & SAFETY	
Org	1986	Rev NOV 25, 1996
Engineer	Richard Harkey	



Comp.	HMS Electronics	
no.	CB512-5C	
name	Inverter Driver	
Org	Dec 87	Rev Nov 18, 1993
Engineer	Richard Harkey	

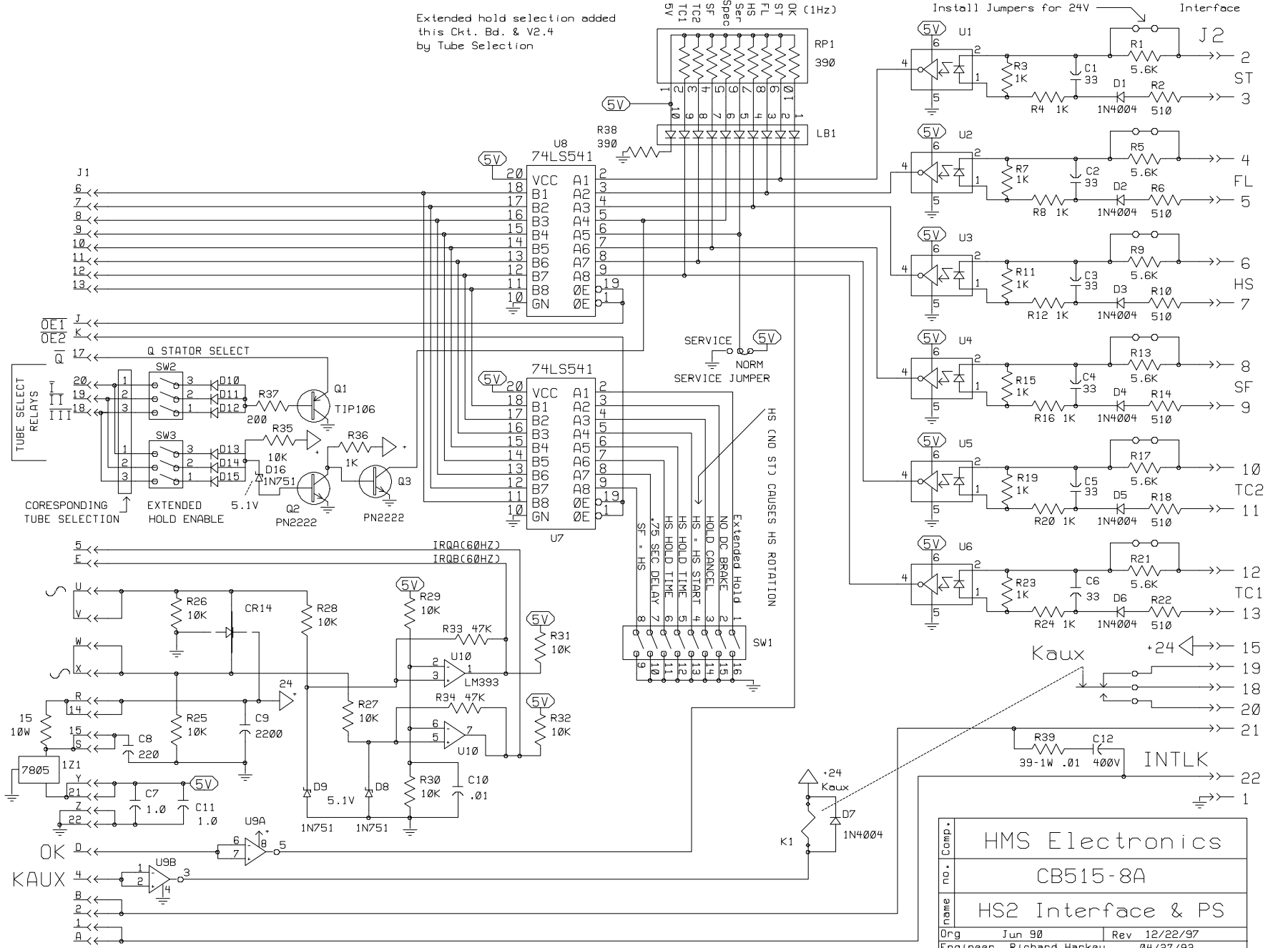


Comp.	HMS Electronics	
no.	CB513-5b	
name	Power Relay	
Org	1985	Rev NOV 19, 1993
Engineer	Richard Harkey	

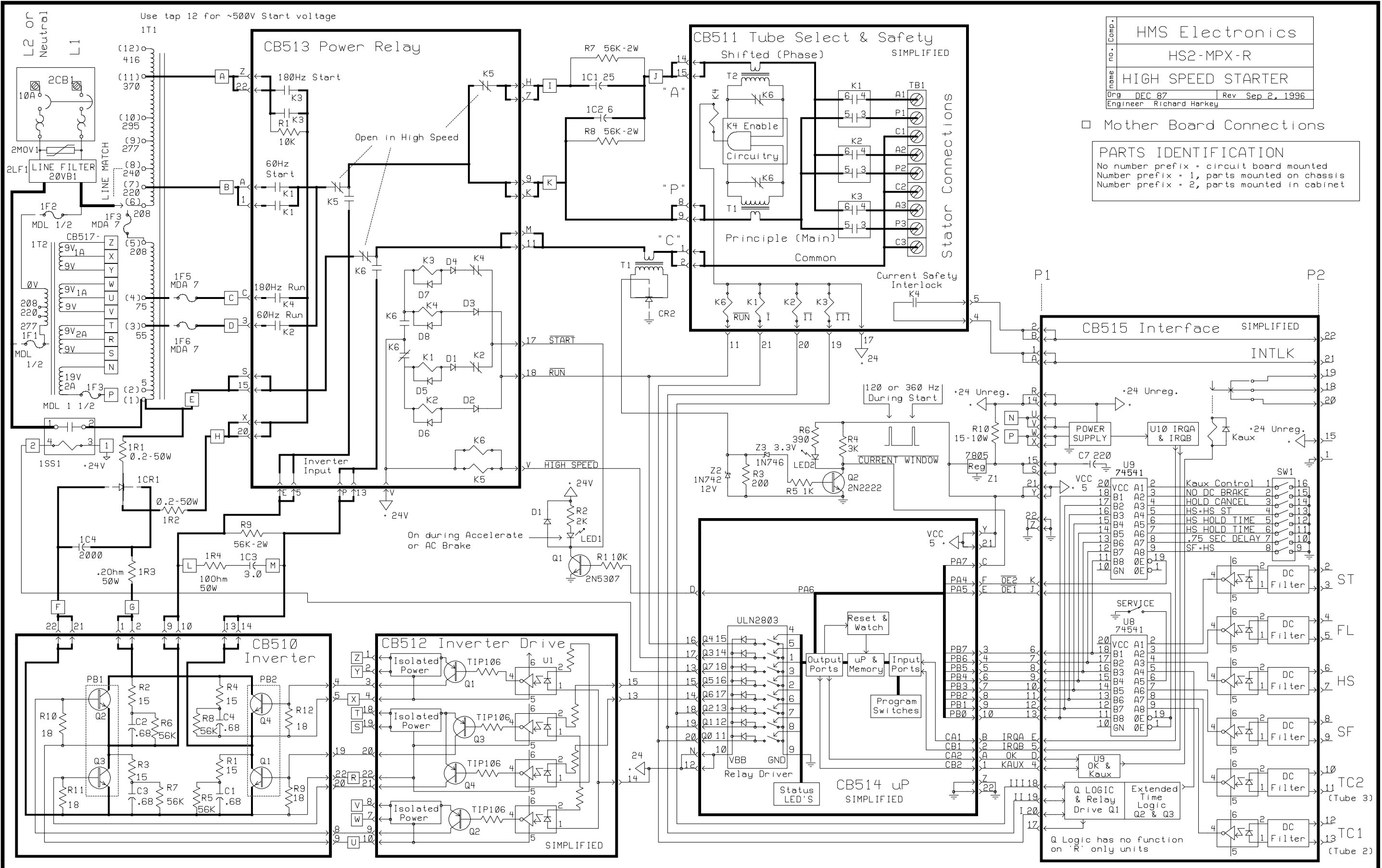


Comp. HMS Electronics
 no. CB514-7A
 name uP
 Org 1987 Rev 3/31/97
 Engineer Richard Harkey

Extended hold selection added
this Ckt. Bd. & V2.4
by Tube Selection



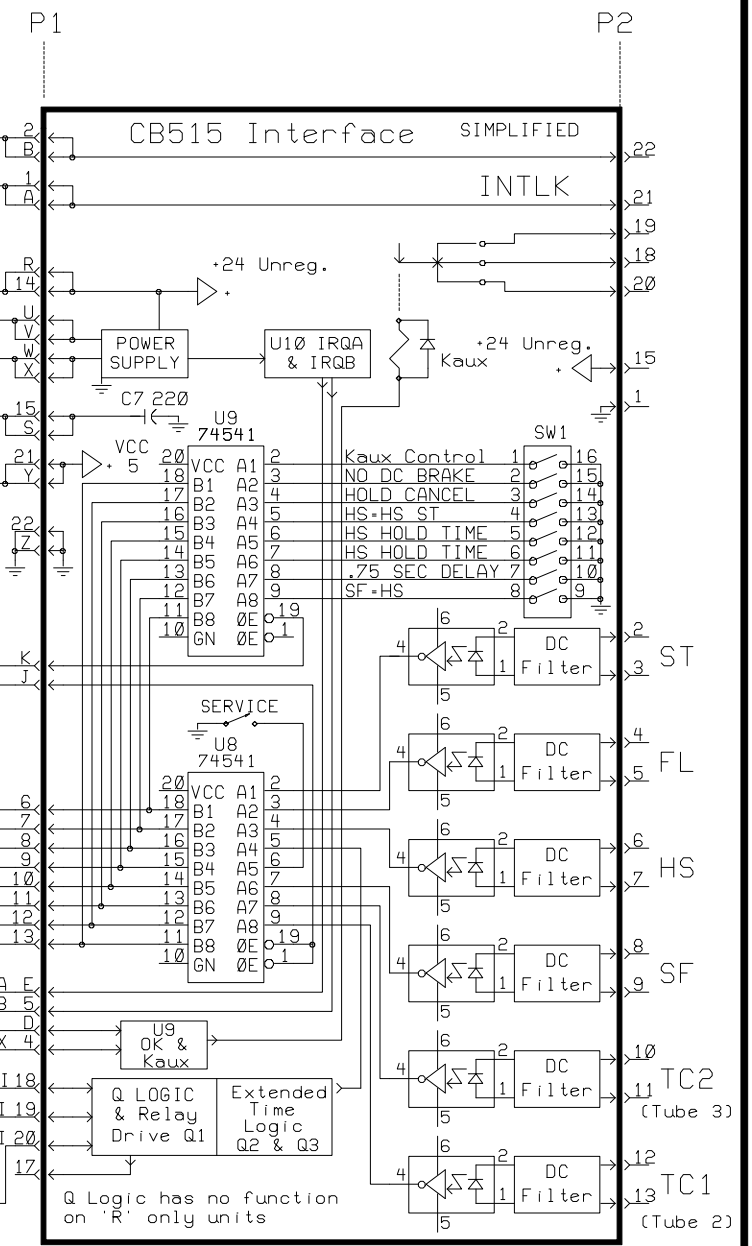
Comp.	HMS Electronics	
n.	CB515-8A	
name	HS2 Interface & PS	
Org	Jun 90	Rev 12/22/97
Engineer	Richard Harkey	04/27/93



Comp.	HMS Electronics
no.	HS2-MPX-R
name	HIGH SPEED STARTER
Org	DEC 87
Engineer	Richard Harkey
Rev	Sep 2, 1996

□ Mother Board Connections

PARTS IDENTIFICATION
 No number prefix = circuit board mounted
 Number prefix = 1, parts mounted on chassis
 Number prefix = 2, parts mounted in cabinet



Q Logic has no function on 'R' only units