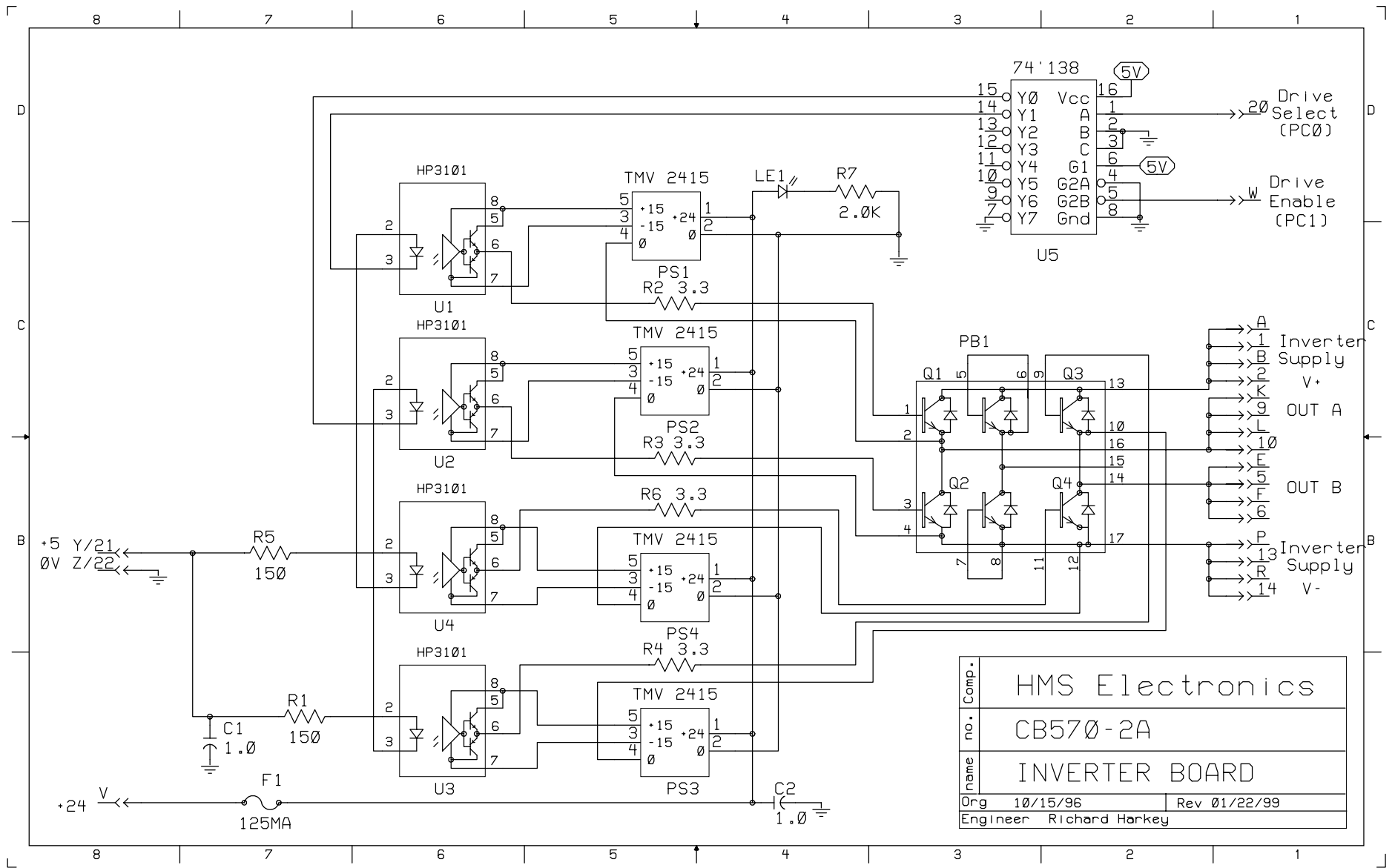
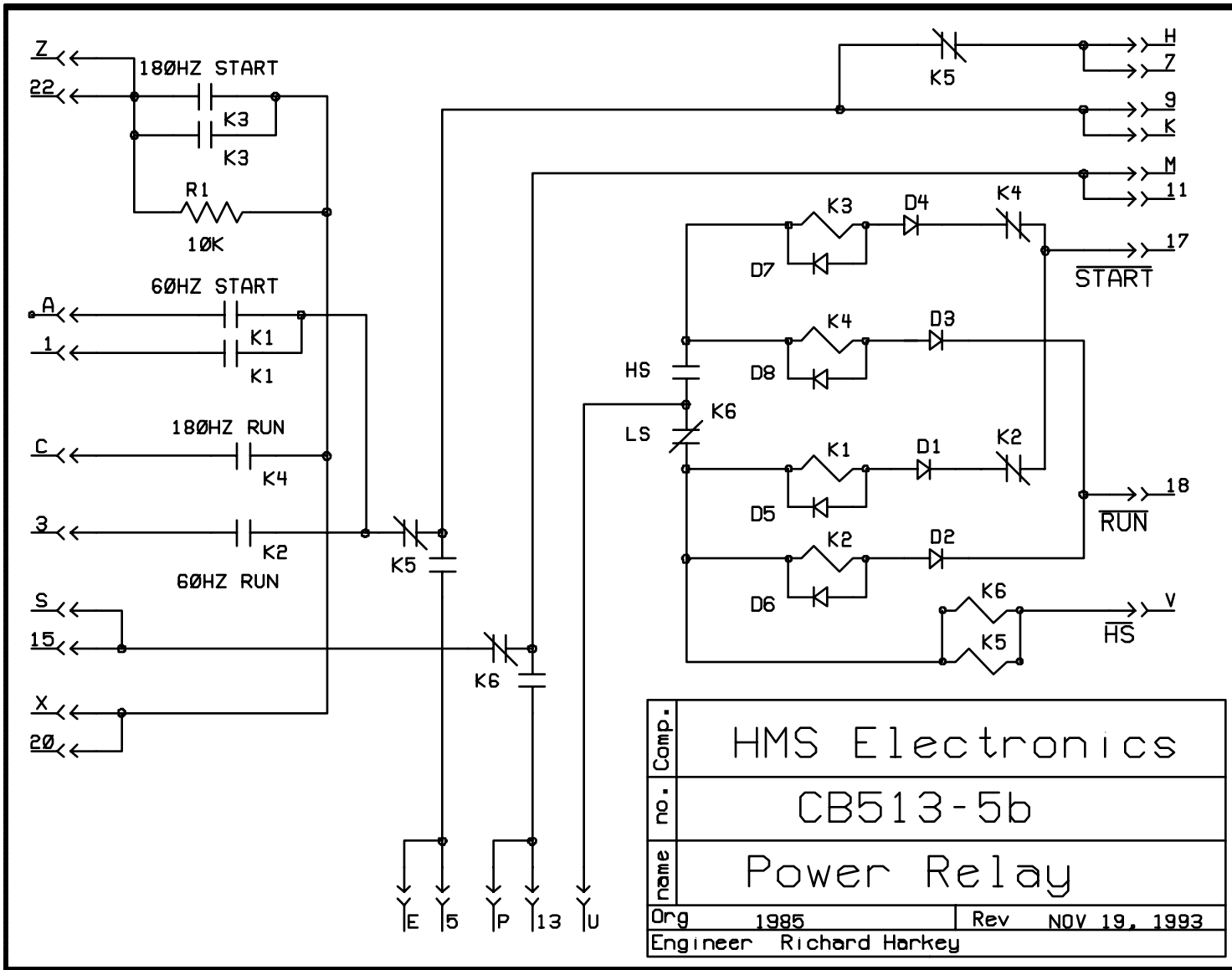
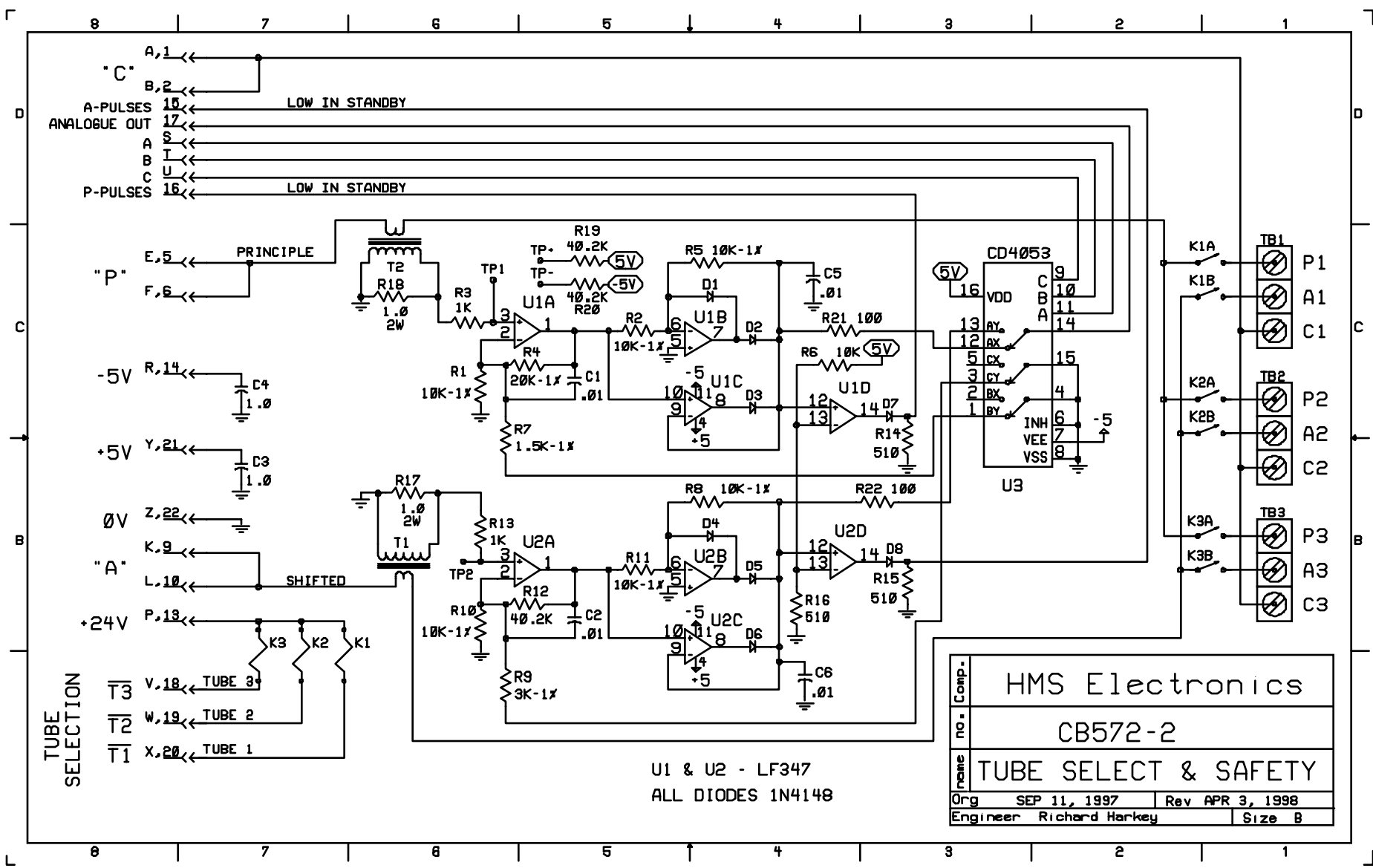


Comp.	HMS Electronics	
no.	CB570	
name	INVERTER BOARD	
Org	10/15/96	Rev
Engineer	Richard Harkey	



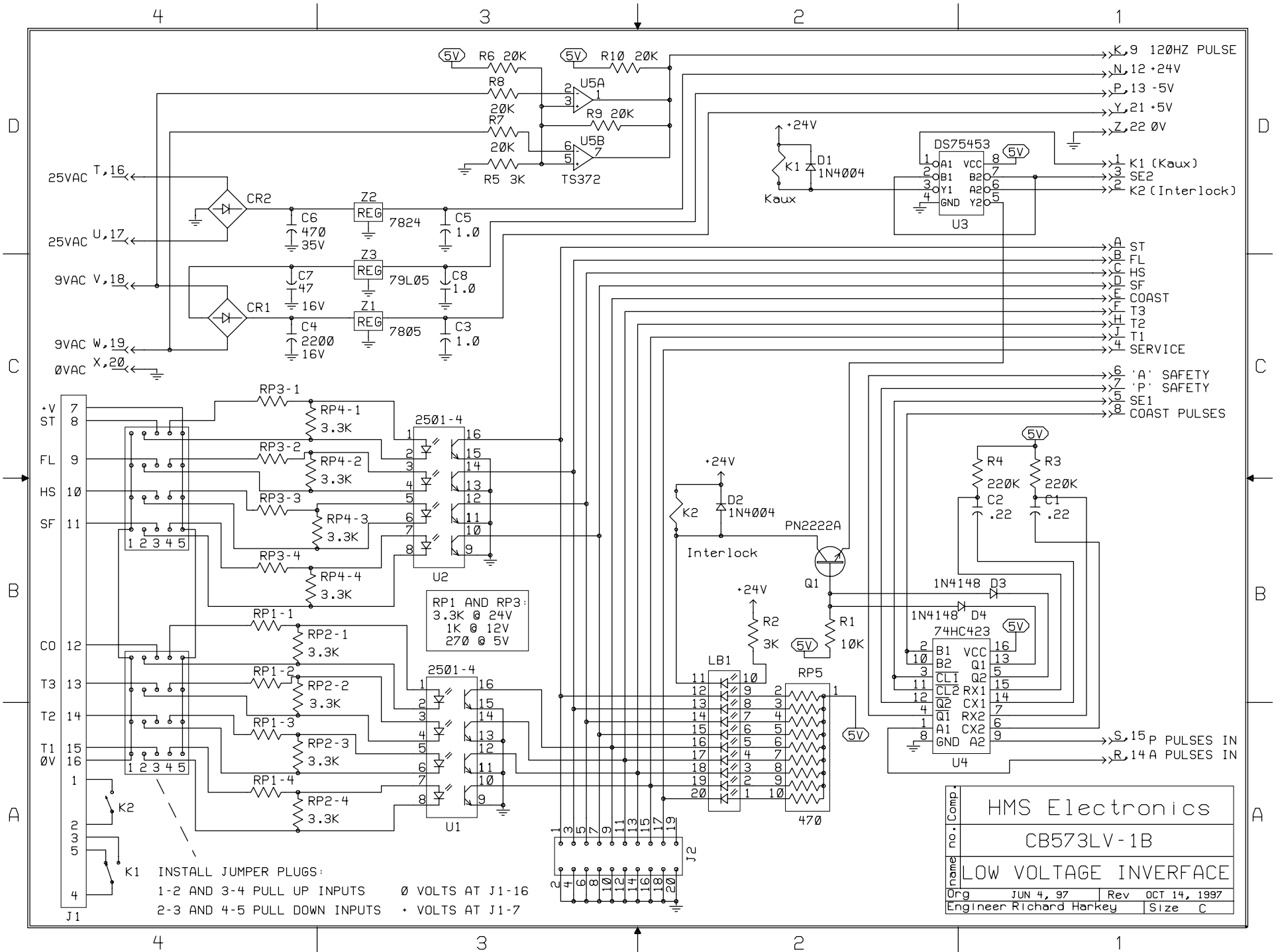
Comp.	HMS Electronics	
no.	CB570-2A	
name	INVERTER BOARD	
Org	10/15/96	Rev 01/22/99
Engineer	Richard Harkey	





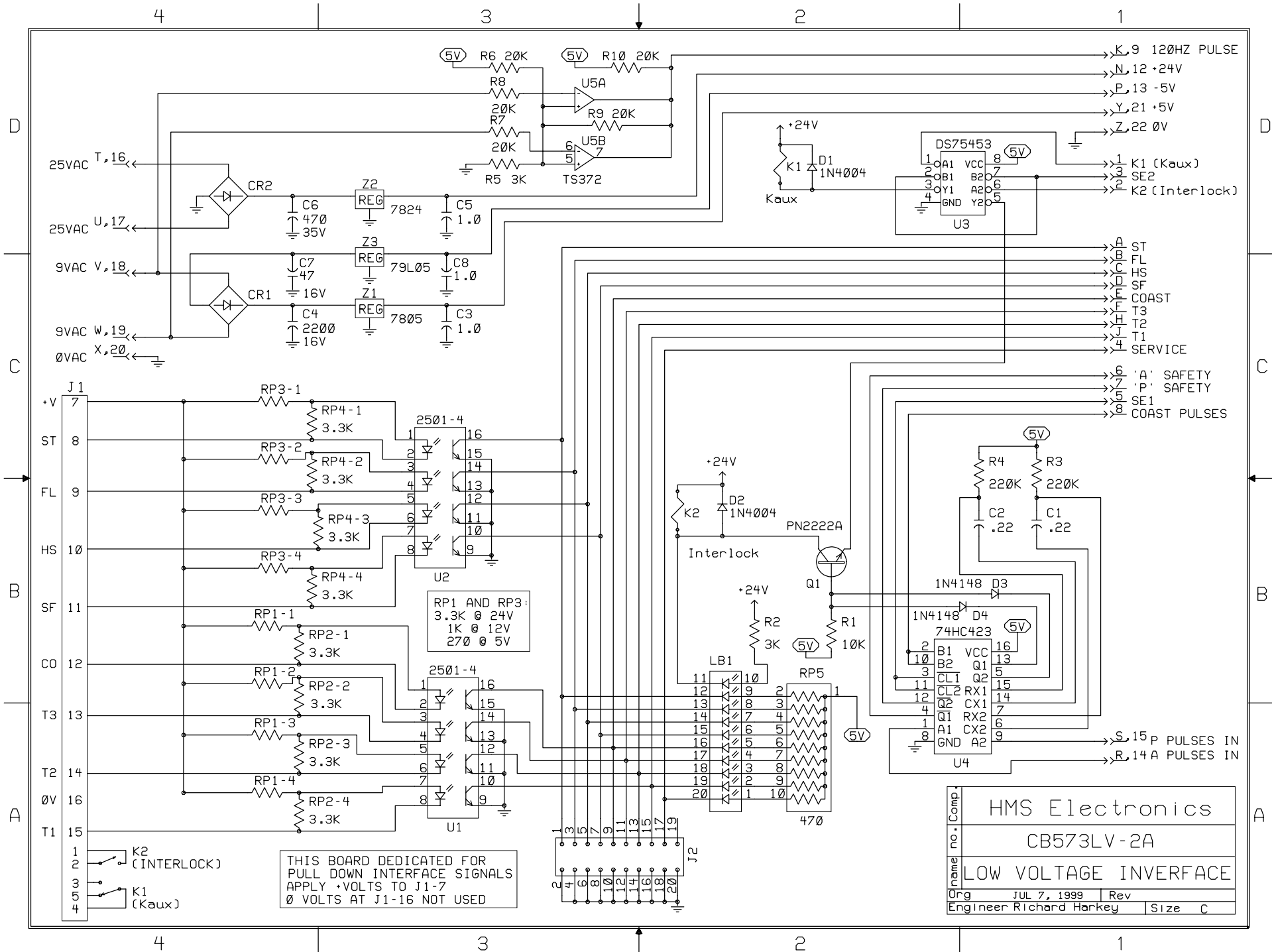
U1 & U2 - LF347
 ALL DIODES 1N4148

name	HMS Electronics	
no.	CB572-2	
Comp.	TUBE SELECT & SAFETY	
Org	SEP 11, 1997	Rev APR 3, 1998
Engineer	Richard Harkey	Size B



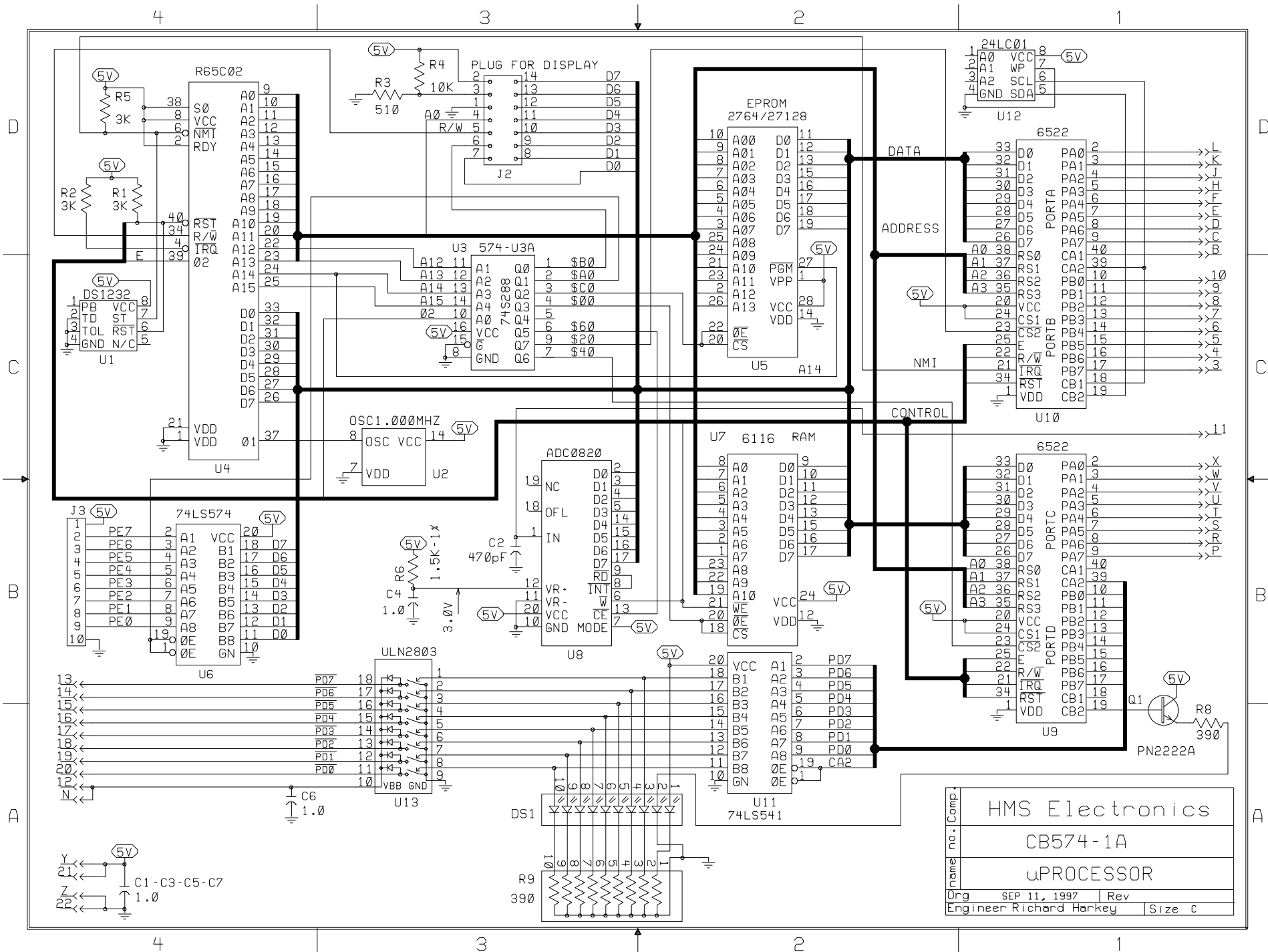
INSTALL JUMPER PLUGS:
 1-2 AND 3-4 PULL UP INPUTS 0 VOLTS AT J1-16
 2-3 AND 4-5 PULL DOWN INPUTS + VOLTS AT J1-7

no. 1	Comp	
	HMS Electronics	
CB573LV-1B		
name LOW VOLTAGE INTERFACE		
Org	JUN 4, 97	Rev OCT 14, 1997
Engineer Richard Harkey		Size C



THIS BOARD DEDICATED FOR
 PULL DOWN INTERFACE SIGNALS
 APPLY +VOLTS TO J1-7
 Ø VOLTS AT J1-16 NOT USED

HMS Electronics		
CB573LV-2A		
LOW VOLTAGE INTERFACE		
Org	JUL 7, 1999	Rev
Engineer	Richard Horkey	Size C



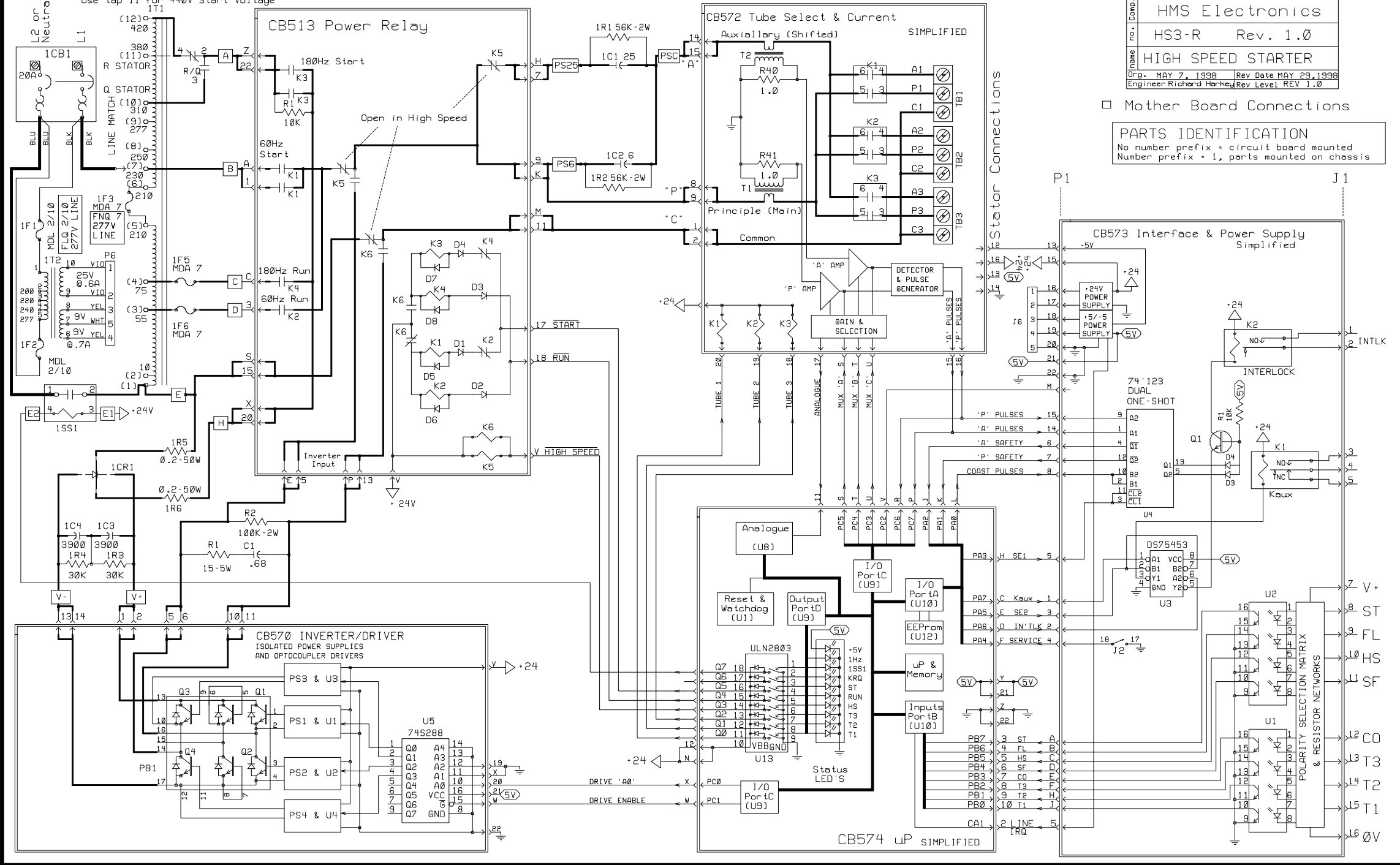
no.	Comp.	HMS Electronics	
no.		CB574-1A	
name		μPROCESSOR	
Org	SEP 11, 1997	Rev	
Engineer	Richard Harkey	Size	c

Use tap 12 for 500V Start Voltage ('R' Stator only)
 Use tap 11 for 440V Start Voltage

Company	HMS Electronics	
no.	HS3-R	Rev. 1.0
name	HIGH SPEED STARTER	
Orig.	MAY 7, 1998	Rev Date MAY 29, 1998
Engineer	Richard Harkey	Rev Level 1.0

□ Mother Board Connections

PARTS IDENTIFICATION
 No number prefix = circuit board mounted
 Number prefix = 1, parts mounted on chassis



Stator Connections

POLARITY SELECTION NETWORKS & RESISTOR NETWORKS

CB574 UP SIMPLIFIED

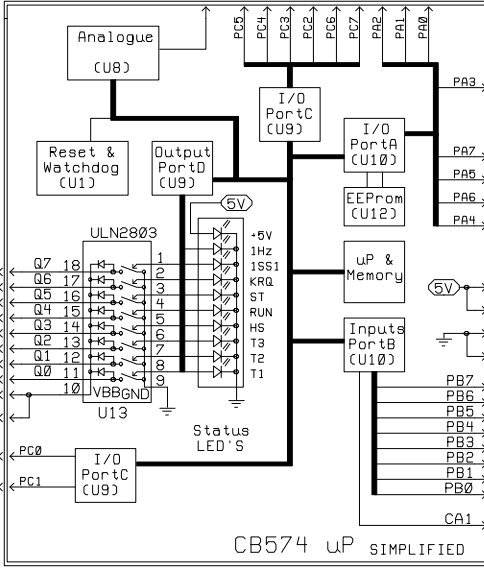
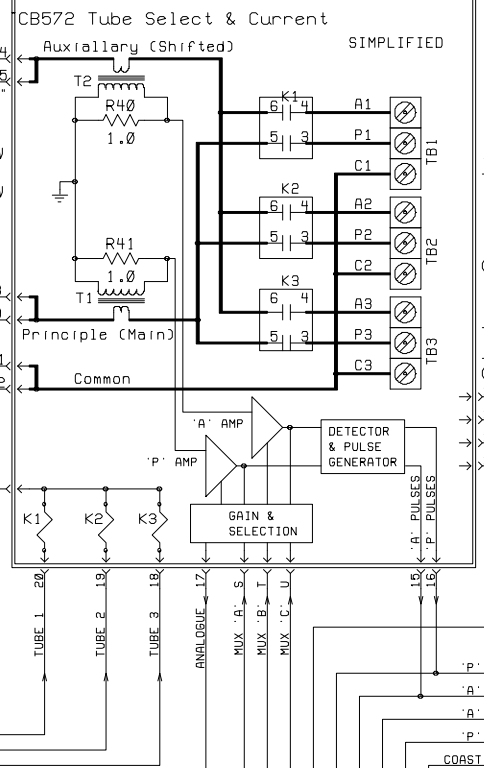
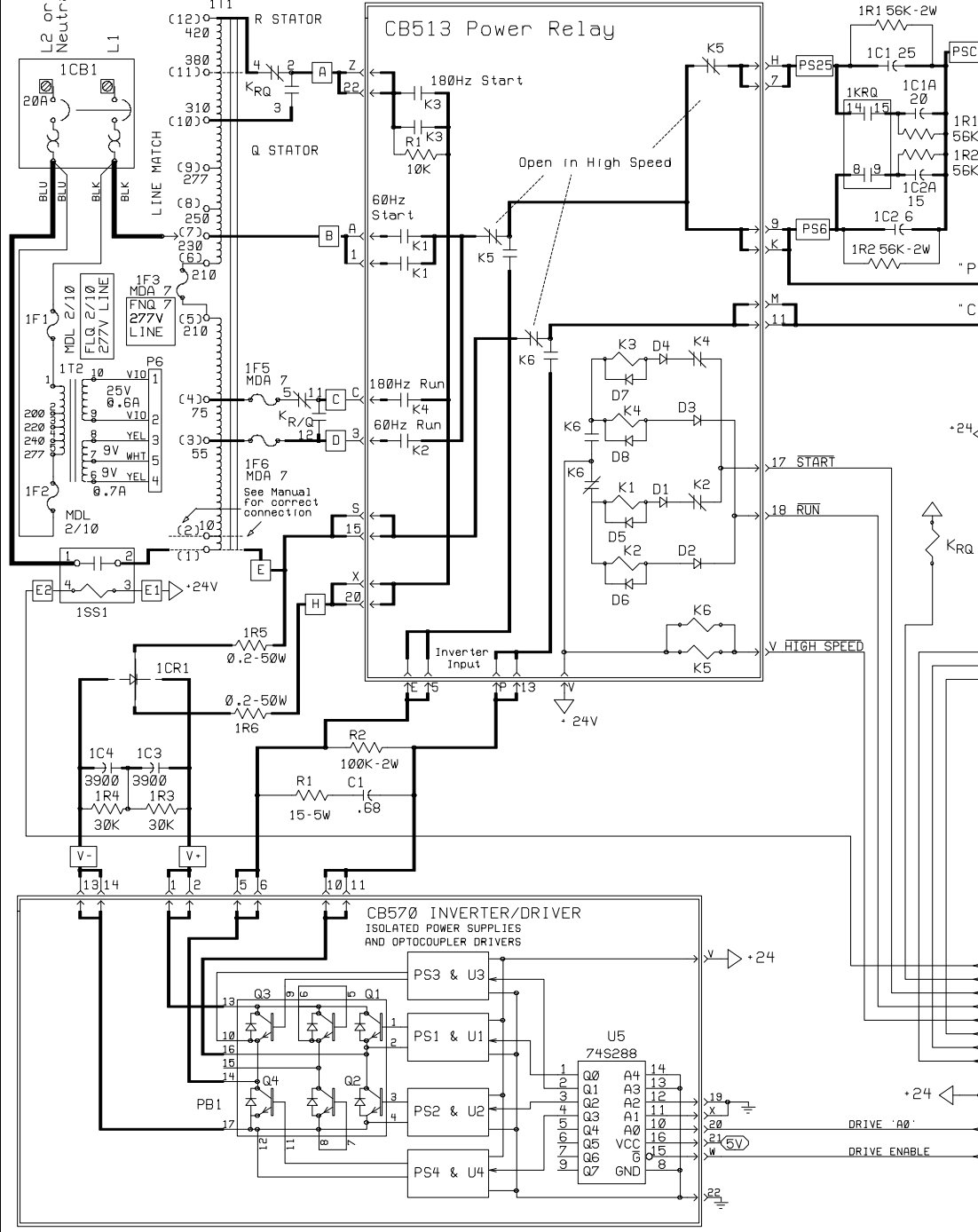
CB573 Interface & Power Supply Simplified

CB572 Tube Select & Current SIMPLIFIED

CB513 Power Relay

CB570 INVERTER/DRIVER
 ISOLATED POWER SUPPLIES
 AND OPTOCOUPLER DRIVERS

Use tap 12 for 500V Start Voltage ('R' Stator only)
 Use tap 11 for 440V Start Voltage



Comp.	HMS Electronics
no.	HS3-R/Q Rev. 1.0
name	HIGH SPEED STARTER
Org.	MAY 4, 1998 Rev Date July 9, 1998
Engineer	Richard Harkey Rev Level 1.0

□ Mother Board Connections

PARTS IDENTIFICATION
 No number prefix - circuit board mounted
 Number prefix - 1, parts mounted on chassis

Stator Connections

